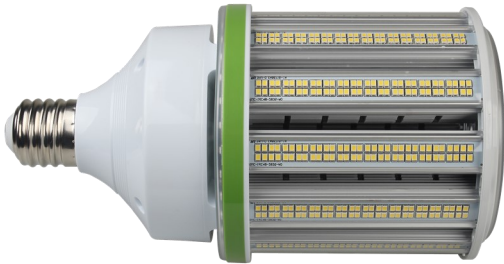
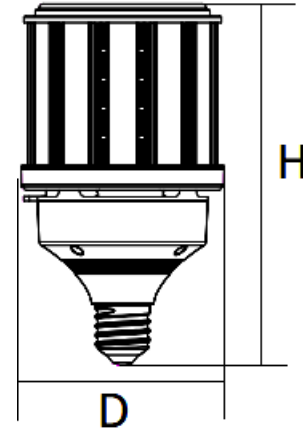


**DIMENSIONS:**

10.67"(H) x 5.75"(D)



Improved heat sink  
LED on the bottom as well to provide 360° illumination



**CL-HL-125W-50K-E39**  
**CL-HL-125W-30K-E39**

**LED CORN LAMPS**

Ideal for retrofitting existing HID highbay, shoebox, flood light or wall pack fixtures.

**ELECTRICAL SPECIFICATIONS:**

- Voltage: 120~277VAC, 50/60Hz
- Wattage: 125W
- Power factor: 0.90
- Efficacy: 130LM/W

**HOUSING SPECIFICATIONS:**

- Improved heat sink, No fan
- Led on the bottom as well to reach 360° beam angle
- Lamp plastic housing and Sealant pouring for whole driver
- For vertical installation (Base Up only)
- Minimum Enclosed Space Dimension: 17.7"(H) x 11.0"(D) and 2153 Cubic in.
- Operating temperature: -4°F to 149°F
- Suitable for damp location

**CERTIFICATIONS:** UL,DLC



MODEL	WATTS	VOLTAGE	LUMENS	COLOR TEMP
CL-HL-125W-50K-E39	125W	120~277VAC	16250LM	5000K
CL-HL-125W-30K-E39	125W	120~277VAC	16250LM	3000K



E39-REDUCER

MODEL	DESCRIPTION
E39-REDUCER	REDUCES E39 BULB TO BE USED IN E26 SOCKET

**LIGHTING SPECIFICATIONS:**

- Lamp Base: E39 Mogul Base
- Total lumens: 16250LM
- Color temperature: 5000K/3000K
- Color rendering index: >80
- Beam angle: 360°

**WARRANTY:** 5 years

